

CHEMICAL FILL STATION

300-1471

FEATURES:

- » Quickly and accurately fill spray bottles for cleaning and disinfecting
- » Bottle fill stations can be located in convenient locations around the facility
- » Use in conjunction with Chemical delivery system, 300-7599
- » Stainless Steel Ball Valve for adjustable chemical flow
- » Lockable cabinet to prevent unauthorized access
- » Stainless steel construction for durability and chemical resistance



* Paired with
Construction Sleeve



* Bottle NOT Included



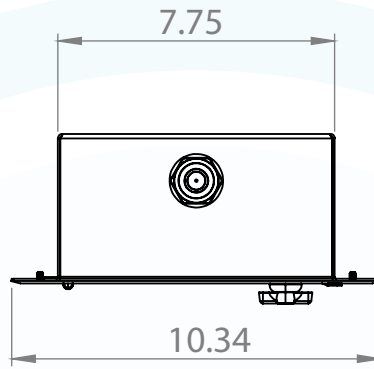
(800) 548-3373

www.spraymastertech.com

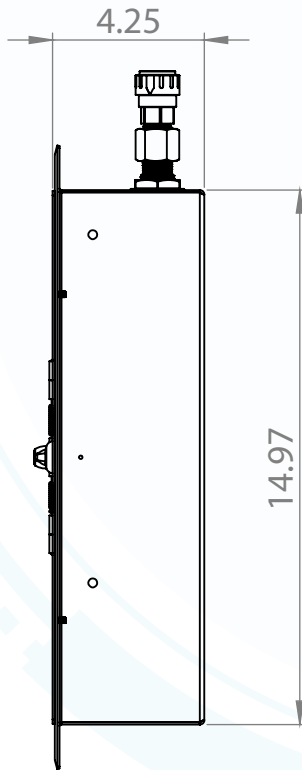
A brand line of
Assembled Products Corporation

115 E Linden • Rogers, Arkansas 72756 USA | Office: (479) 636-5776 • Fax: (479) 636-3245

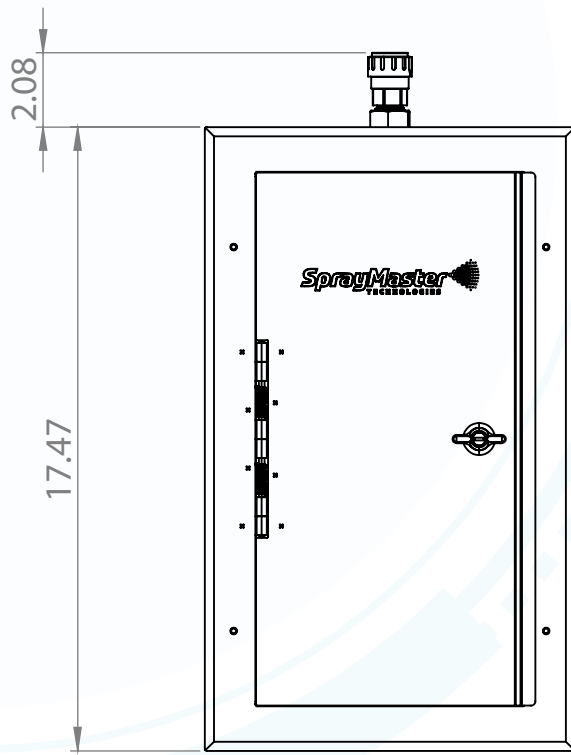




TOP VIEW



SIDE VIEW



FRONT VIEW