

300-5300

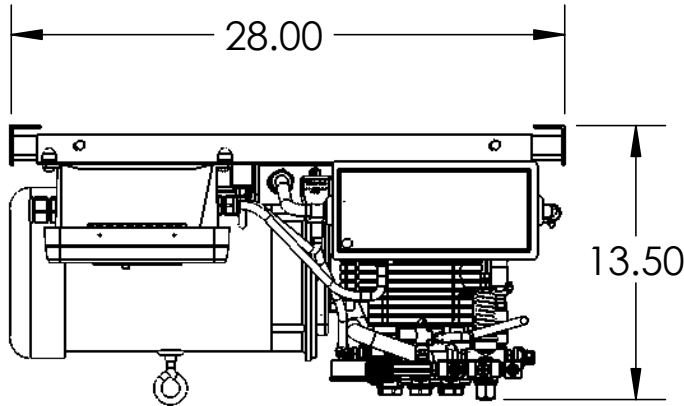
# 2000WCY



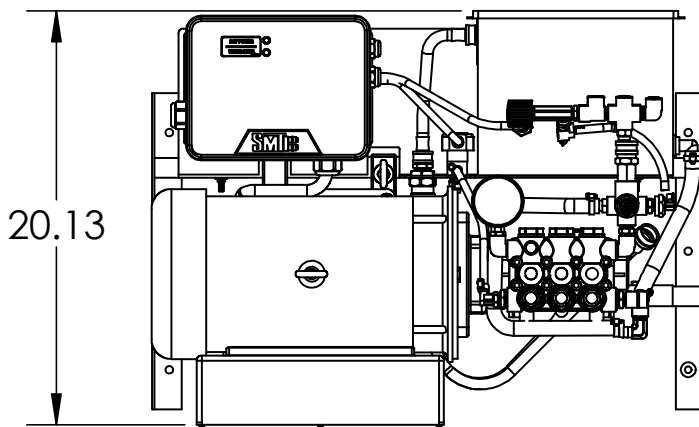
**300-5074 2000WCY:**  
3.6 gpm/13.6 lpm @ 2000 psi/138 Bars, 208V

## FEATURES:

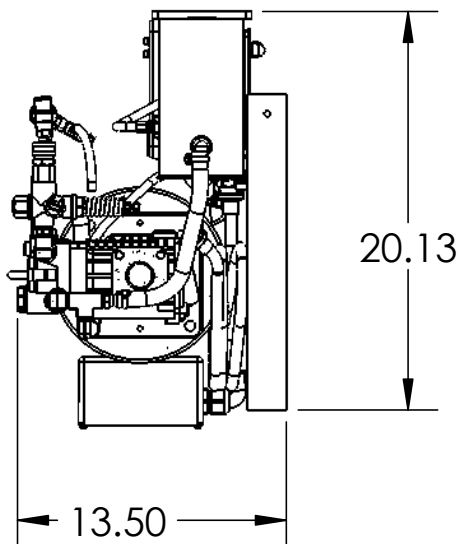
- » Industrial 5 HP Motor, Totally Enclosed, Fan Cooled
- » 3 Cylinder General Pump (See spec sheet for GP - EZ2536EL)
- » Master Control with 24V Control Circuits
- » Three Remote Manifold
- » Chemical Injected by one Solenoid
- » Water Level Float Switch Assembly
- » Liquid Filled Pressure Gauge, 3000PSI/ 138 Bars
- » Float Tank
- » 6 ft./ 1.8m Water Inlet Supply Hose
- » Wall Mounted for Easy Installation
- » Dimensions HxWxD = 28"x28"x17"
- » Shipping Weight: 250 lbs./ 113 kg.



TOP



FRONT



RIGHT SIDE

## EQUIPMENT SPECS:

### CLEARANCES

- » Left Side 6" / 15 cm
- » Right Side 12" / 30 cm
- » Overhead 14" / 35 cm
- » Floor 36" / 91 cm
- » Front 36" / 91 cm

### PLUMBING

3/4"/2cm Hose Bib with minimum 5gpm/19Lpm @ 30psi/2bars. 120°F/49°C and a Watts Valve

### ELECTRICAL

208-230V, 30Amp, 60Hz, 1 Phase with GFCI and Service Disconnect at Pump

## INSTALLATION SPECS:

### ELECTRICAL

208V - 230V, 30Amp, 60Hz, 1 phase hard wired through service disconnect at pump. Requires 30Amp GFCI breaker in main panel. **CAUTION:** In all installations the use of a Ground Fault Interrupter (GFI) in the power supply circuit is essential for personal safety.

### WATER

Cold or warm water outlet 120°F/49°C MAX, 3/4" (2cm) hose bib. Anti siphon valve required/supplied by others. A pressure gauge in the water line can be helpful although it is not mandatory. A minimum of 5 gal. / 19L per minute and a line pressure not less than 30psi/2bars, is required.

### LOCATION

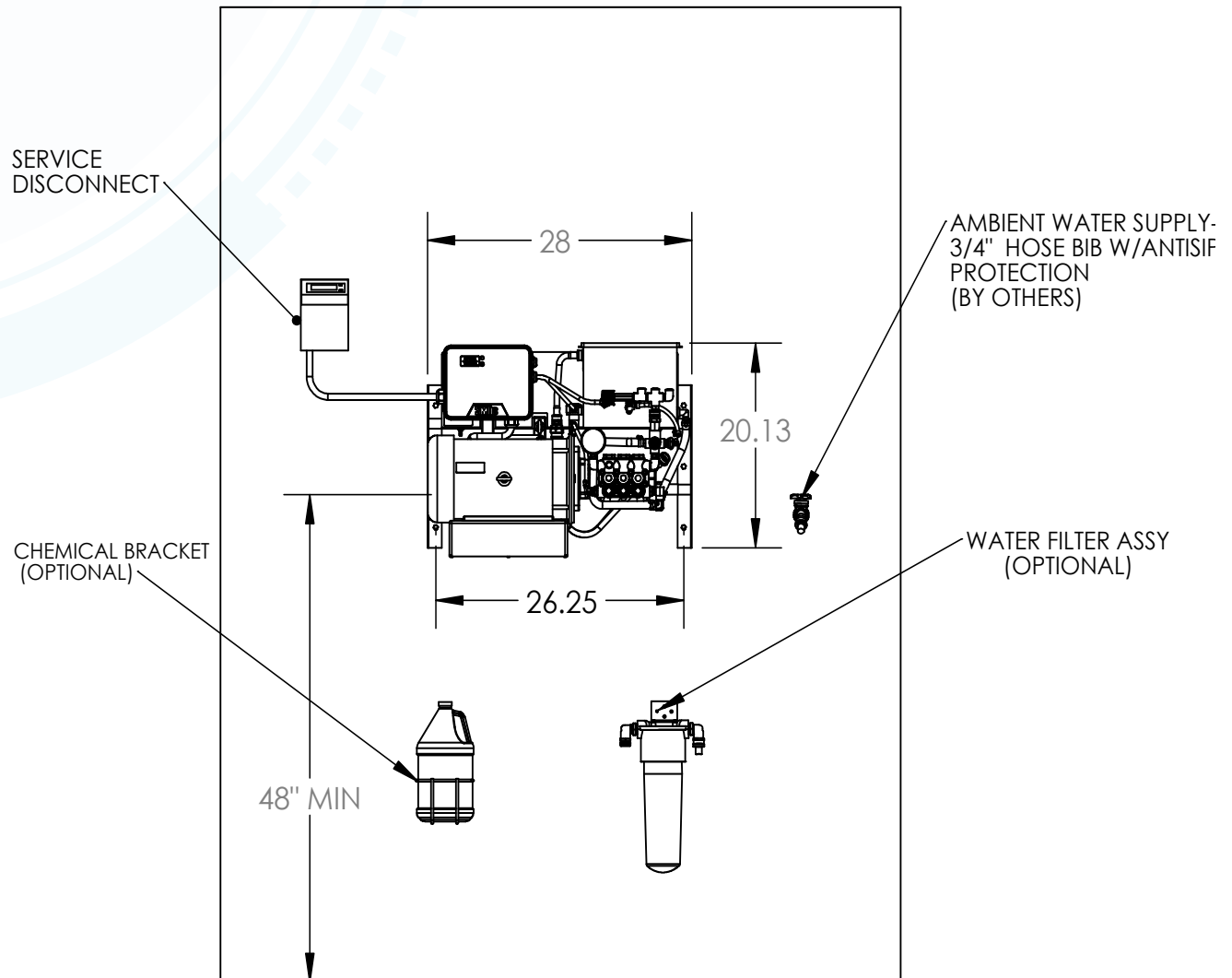
Heated utility room or closet with ventilation. Minimum 14"/35cm clearance above unit required. The unit can be serviced without removing it from the wall.

### CONSTRUCTION REC.

Back in the wall: minimum 3/4" plywood at 4' x 4'.

### GENERAL REC.

This is an outside cleaning system only. Locate electrical outlets above washing areas.



*NOTE: Electrical, Water, and Backing are not supplied by Spray Master.*

## **SYSTEM REQUIREMENTS:**

208V/ 30A Dedicated Circuit

Dedicated Circuit GFCI breaker in main circuit panel

3/4" Backing required in Wall

Ambient Water supply - Max Temp 120°F 5 GPM @ 30 PSI with 3/4" hose Bib with anti siphon protection



[www.spraymastertech.com](http://www.spraymastertech.com)