

300-5113

# 600PE



**300-5113 600PE:**

2.2 gpm / 8.3 lpm @ 1100 psi / 76 bars

2.9 gpm / 11 lpm @ 850 psi / 59 bars

## FEATURES:

- » Thermal Relief Valve 120°F/ 49°C Max Water Temp
- » Gun & Hose Hanger
- » Chemical Basket
- » Adjustable Single Chemical Injection, Dual Chemical Option Available
- » 35' GFCI Power Cord
- » 30' Steel Braided High Pressure Hose
- » 36" in Stainless Steel Spray Gun & Wand Assembly
- » 3 Cylinder CAT® SuperFlow Plunger Pump
- » Industrial 2HP Totally Enclosed, Fan Cooled Motor
- » 115Volt/ 60Hz/ 1 phase/ 15 Amps
- » Pressure Gauge, 2000 psi/ 138 Bars, Liquid Filled
- » 850 psi/ 2.9 gpm
- » 1100 psi/ 2.2 gpm

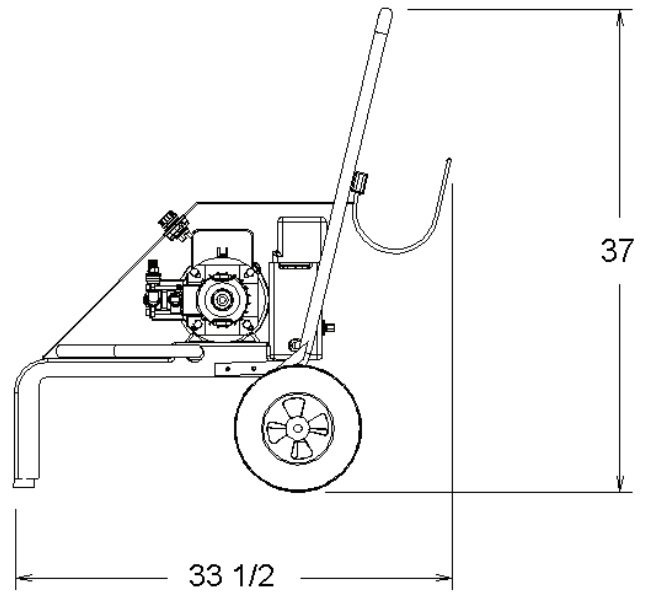
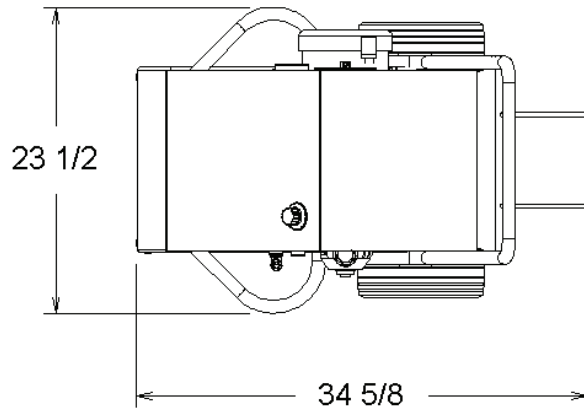
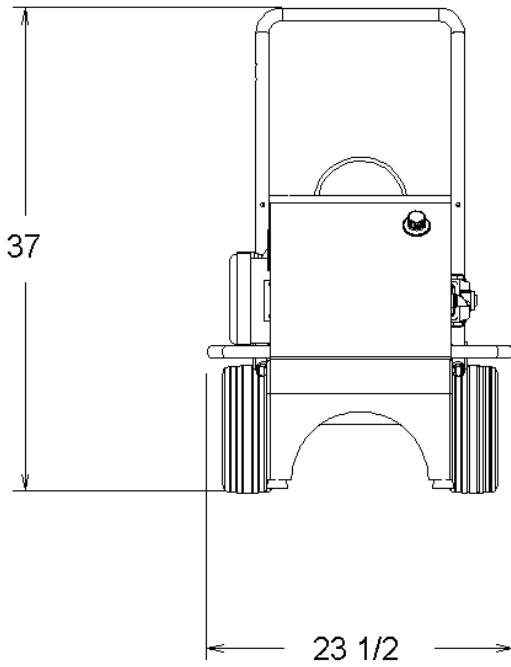
**(800) 548-3373**

[www.spraymastertech.com](http://www.spraymastertech.com)

A brand line of  
**Assembled Products Corporation**

115 E Linden • Rogers, Arkansas 72756 USA | Office: (479) 636-5776 • Fax: (479) 636-3245





## EQUIPMENT SPECIFICATIONS

### Plumbing

3/4" / 2cm Hose Bib with 5 gpm / 14 Lpm  
@ 30psi / 20.6 bars. 120°F / 49°C

### Electrical

115V, 16A Dedicated Circuit