

300-5107

600W

FEATURES:

- » Industrial 2 HP Motor, Totally Enclosed, Fan Cooled, 1725rpm, 1 Phase Draws 15A
- » 3 Cylinder CAT® Super Flow Plunger Pump
- » SMT-200-RWC Manual Rewind Hose Reel
- » Two Quick Coupler Sets (connect hose and gun to unit)
- » 50'/15.3m High Pressure Hose (Steel Braided)
- » Anti-Backflow Protection/Float Tank
- » Water Level Float Switch Assembly
- » Adjustable Chemical Injector
- » Sanitizer Chemical Selector with Flush Feature
- » Two 1 gal/ 3.8L Chemical Baskets
- » Pressure Gauge, 2000 psi/ 138 Bars, Liquid Filled
- » Stainless Steel Cover and Frame
- » Stainless Steel Wall Mount Brackets w/ Gun Hanger
- » 6' / 2 m - Water Inlet Supply Hose
- » 4' / 1.3m Cord w/ GFCI
- » Maintenance Kit: Water Filter, Replacement Filter and 1 Hydraulic Oil
- » ETL-CSA Listed to UL 1776
- » Shipping Weight: **239 lbs./ 104.3 kg.**



300-5107 600W:

- 2.2gpm/8.3 lpm @ 1100psi/76bars, 115V
- 2.2gpm/8.3 lpm @ 1000psi/69bars, 208V
- 2.2gpm/8.3 lpm @ 1100psi/76bars, 230V
- 2.9gpm/11 lpm @ 850psi/59bars, 115V
- 2.9gpm/11 lpm @ 800psi/55bars, 208V
- 2.9gpm/11 lpm @ 850psi/59bars, 230V

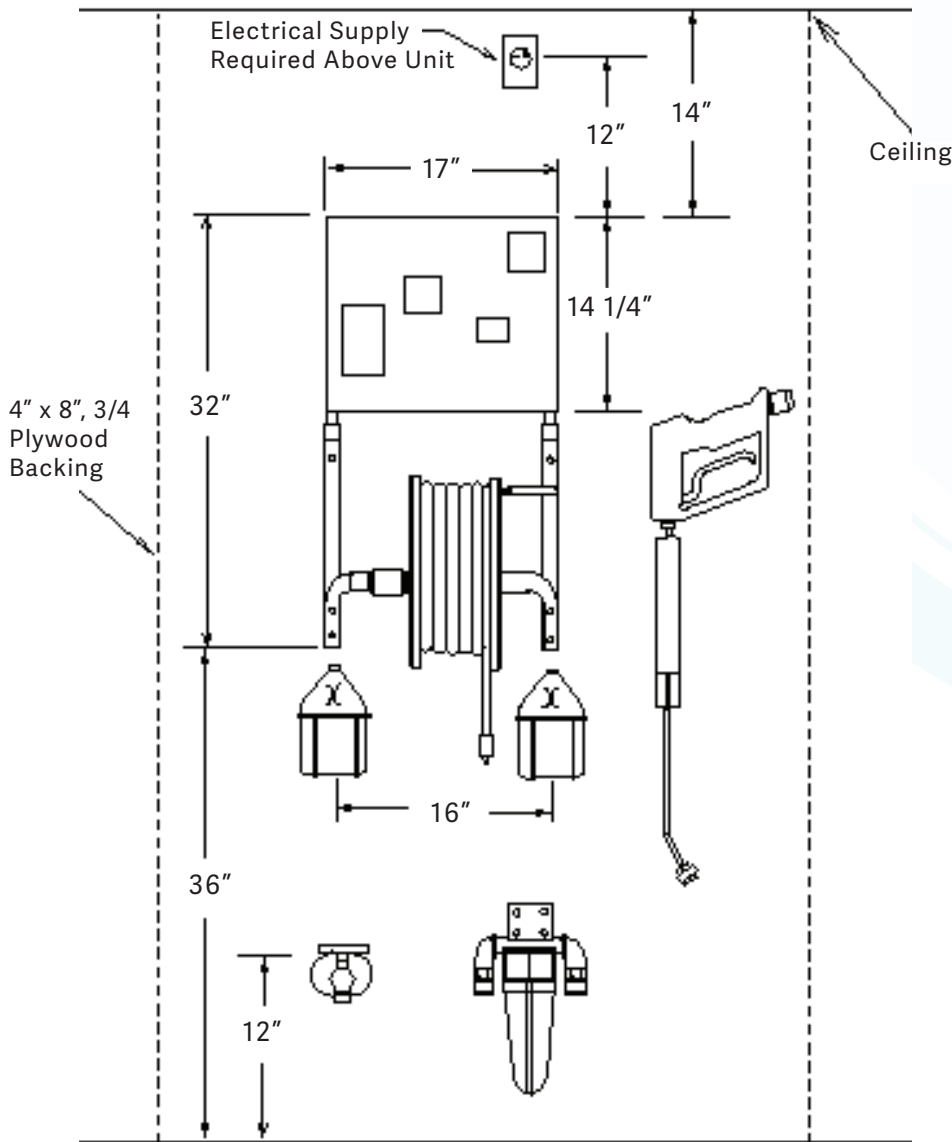
(800) 548-3373

www.spraymastertech.com

A brand line of
Assembled Products Corporation

115 E Linden • Rogers, Arkansas 72756 USA | Office: (479) 636-5776 • Fax: (479) 636-3245





EQUIPMENT SPECS:

CLEARANCES

- » Left Side 12"/ 30cm
- » Right Side 12"/ 30cm
- » Overhead 14"/ 35cm
- » Floor 36"/ 91cm
- » Front 36"/ 91cm

PLUMBING

3/4"/2cm Hose Bib with
5gpm/.14Lpm @ 30psi/ 20.6bars.
120°F/49°C

ELECTRICAL

115V, 20A Dedicated Circuit
or 208-230V

CONSTRUCTION

For non-masonry walls 3/4"
plywood backing secured to studs
measuring at 4' x 8'

INSTALLATION SPECS:

ELECTRICAL

One (1) 115V, single phase, 20A,
'Dedicate Circuit' with standard
receptacle. **NOTE:** For 208V or
230V units is a 15A wall receptacle
is required.

WATER

One (1) water outlet 120°F/ 49°C
MAX with standard 3/4"/ 1.9cm
hose bib with shut-off valve. A
pressure gauge in the water line
can be helpful although it is not
mandatory. A minimum of 5 gal./
19L per minute and a line pressure
not less than 30psi/20.6bars, is
required.

LOCATION

Heated utility room or closet with
ventilation. Minimum 14in/.35m
clearance above unit required to
remove cover. The cover must be
removed for servicing the unit.
The unit can be serviced without
removing it from the wall.

GENERAL RECOMMENDATIONS

Floor drains are essential in
new facilities to receive the
greatest utilization and maximum
efficiency of your **Spray Master**
pressure washer. Floor Materials
and wall coverings which can be
cleaned with pressurized water
are desirable. Locate electrical
outlets above washing areas.