

300-5073

SprayMaster
TECHNOLOGIES

POWER CLEAN Go 2.0

FEATURES:

- » 2HP Industrial Motor; Totally Enclosed, Fan Cooled
- » 2.1 GPM, 3 Cylinder, Stainless Steel Lined, Ceramic Plunger Pump
- » Portable Cart with HD and maintenance free tires
- » Manual Rewind Hose Reel, Optional
- » Stainless Steel Spray Wand Hanger
- » Chemical Storage Rack includes two 2 liter Chemical Bottles
- » Includes 36" Dual Nozzle Spray Gun with 3 High Pressure Nozzles
- » Includes 35' GFCI Power Cord and 30' High Pressure Hose (additional hose lengths are available)
- » Dual Chemical Injection through Stainless Steel Post Pump injector
- » Dual Chemical Metering Knobs provide easy adjustment of chemical dilution
- » Full cover provides protection and a clean look
- » Shipping Weight of 170 lb



NOTE: Shown with optional Hose Reel

POWER UP YOUR CLEAN WITH THE SPRAY MASTER POWER CLEAN GO 2.0

The Power Clean Go2.0 has been designed from the ground up to provide the optimal combination of water, pressure, and chemicals to provide the cleaning and sanitizing results you desire. Paired with our full line of cleaning accessories, the PowerClean Go 2.0 will take your clean to the next level. Using the two in one dual-nozzle spray gun, you can accurately apply cleaner or disinfectant on low pressure to floors, carts, door handles and other hard surface areas, and with a flick of the wrist, rinse away grease, dirt, and other contaminants with 1100 PSI and 2.1 GPM of water.

(800) 548-3373
spraymastertech.com

115 E Linden • Rogers, Arkansas 72756 USA | Office: (479) 636-5776 • Fax: (479) 636-3245

A brand line of
Assembled Products Corporation



Equipment Specifications

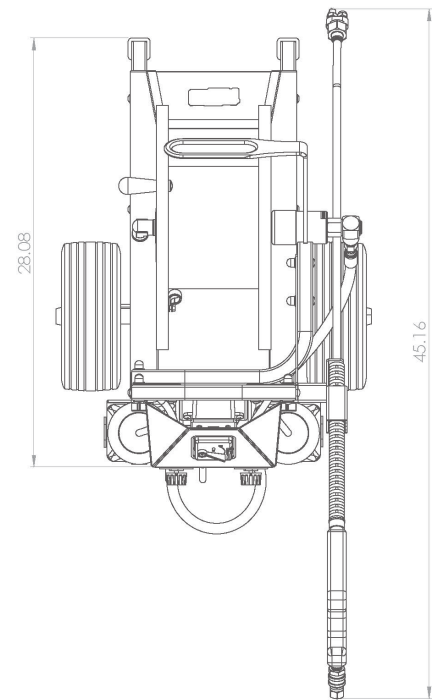
*Shown with optional Hose Reel
Includes high pressure spray gun

Plumbing

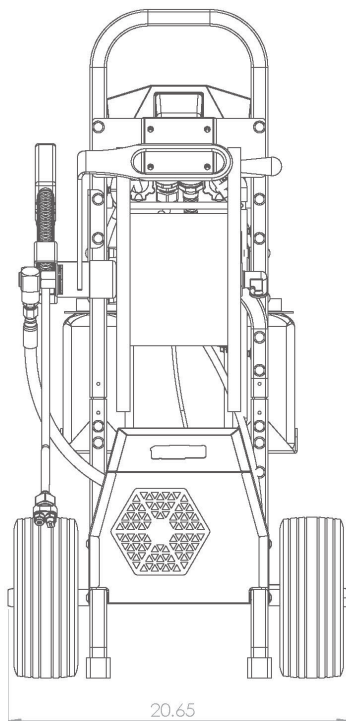
30' High pressure, non-marking hose
35' GFCI power cord
Two 2 litre Chemical bottles

Electrical

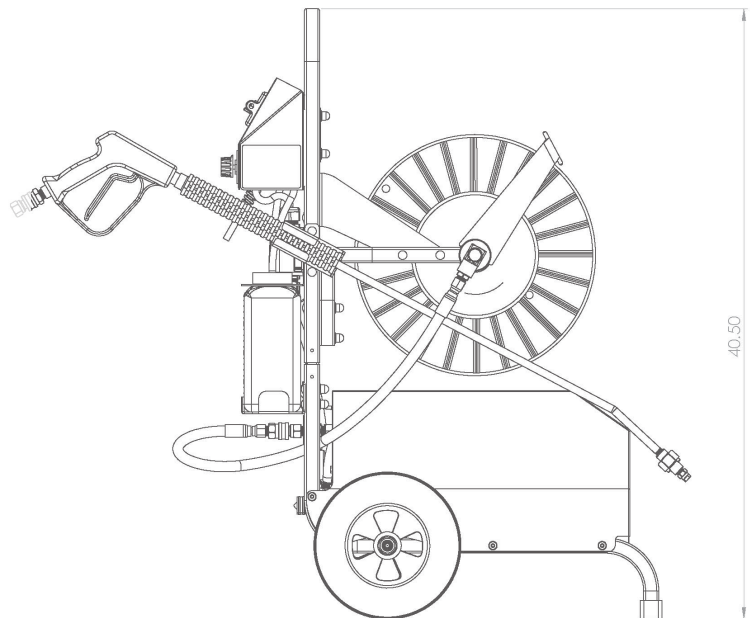
120V, 20A Circuit



TOP VIEW



BACK VIEW



SIDE VIEW

PRESSURE WASHING SYSTEM:

The SMT Power Clean Go 2.0 is the perfect portable cleaning solution. In less time than it takes to fill a mop bucket you will be washing, rinsing, and sanitizing your interior and exterior traffic areas while reducing the use of water and chemicals.