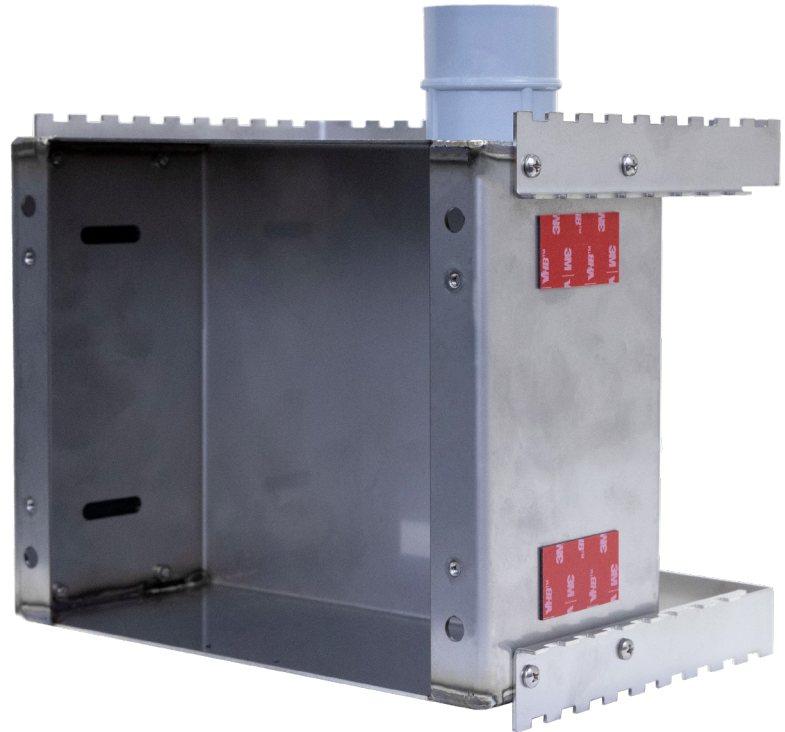


300-1243

## RECESSED REMOTE CONSTRUCTION SLEEVE



### FEATURES:

- » Stainless Steel Construction Sleeve for installation during wall construction
- » For use in all wall types
- » Includes optional Mortar Grippers for Block/CMU construction
- » Includes Chase Guide for installation of required 2" Chase
- » Required for use of Recessed Remote Stations in new construction

**(800) 548-3373**

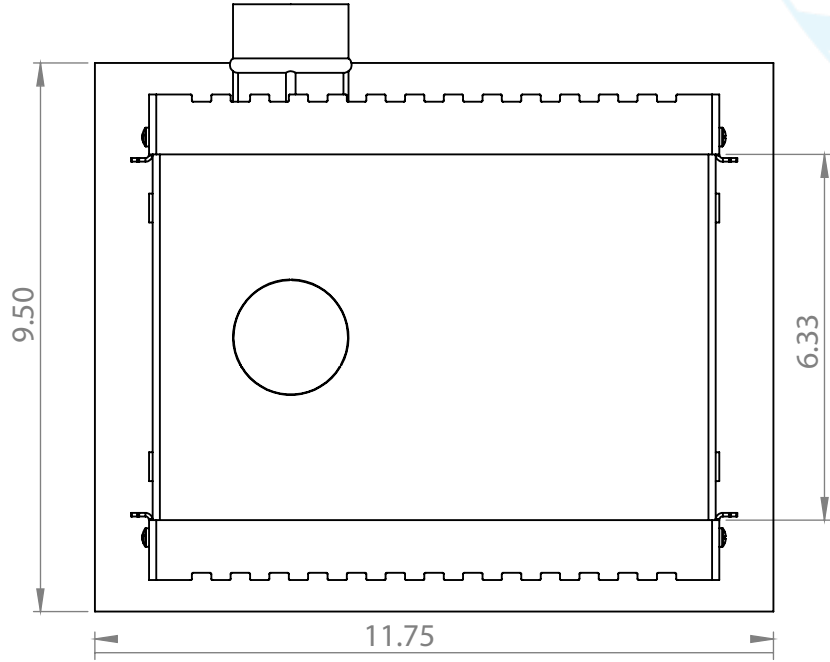
[www.spraymastertech.com](http://www.spraymastertech.com)

A brand line of  
**Assembled Products Corporation**

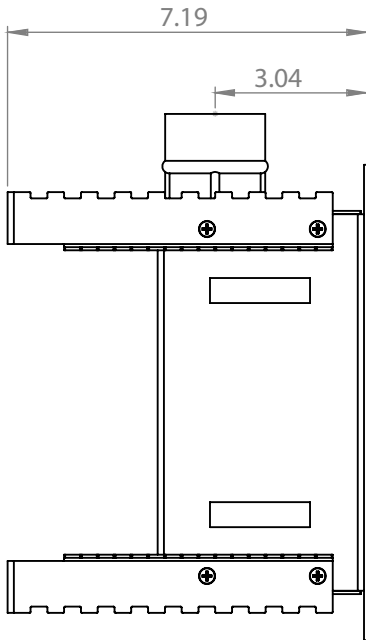
115 E Linden • Rogers, Arkansas 72756 USA | Office: (479) 636-5776 • Fax: (479) 636-3245



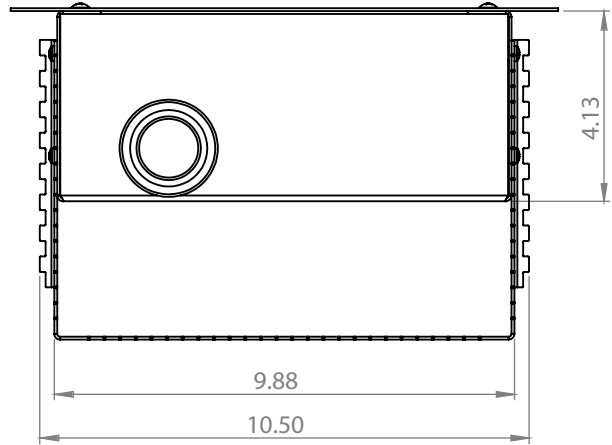
300-1243 - RECESSED REMOTE CONSTRUCTION SLEEVE



FRONT VIEW

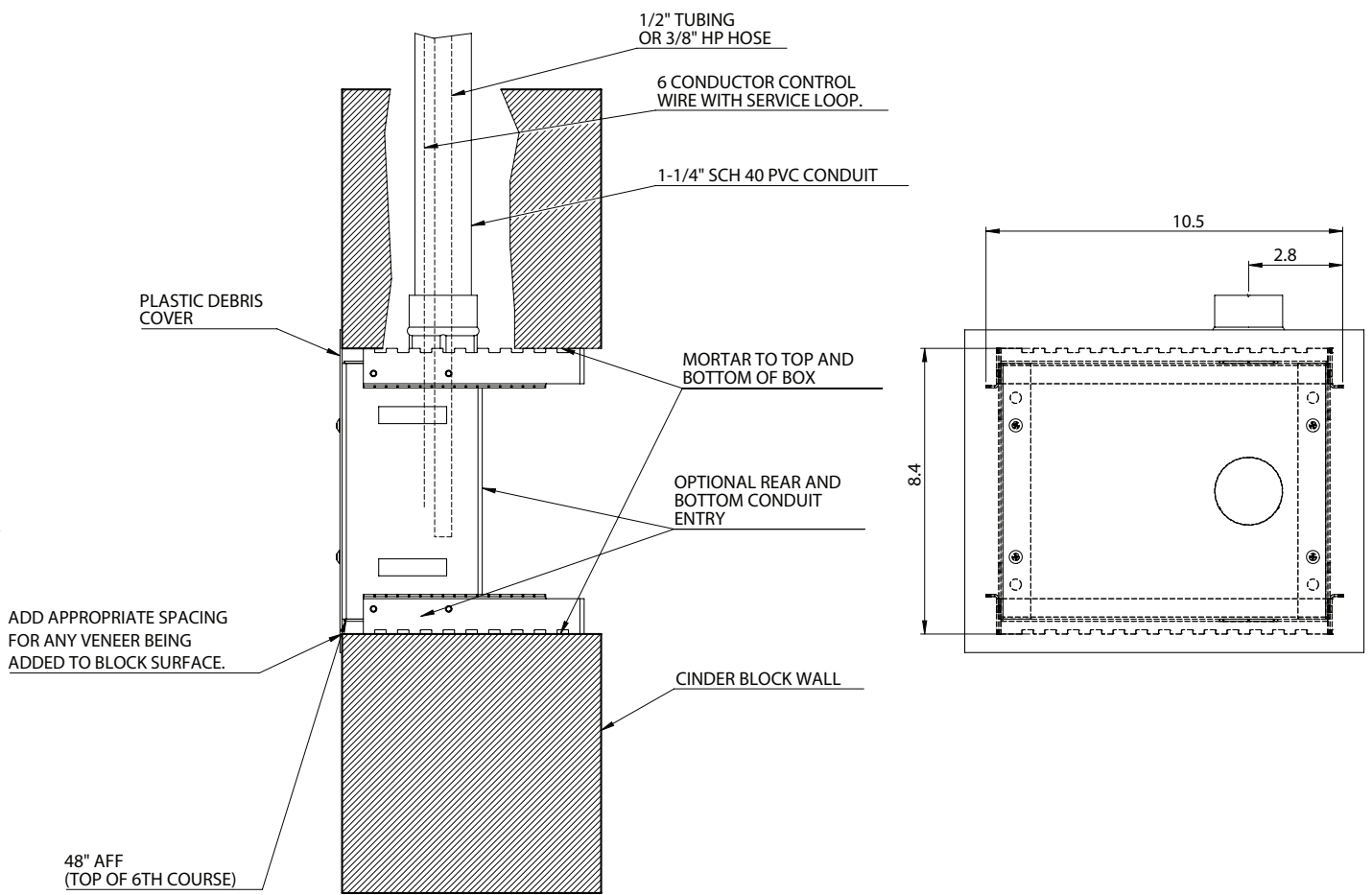


SIDEVIEW



TOP VIEW

INSTALL INSTRUCTIONS



SIDE VIEW



**SprayMaster**<sup>®</sup>  
TECHNOLOGIES

[www.spraymastertech.com](http://www.spraymastertech.com)